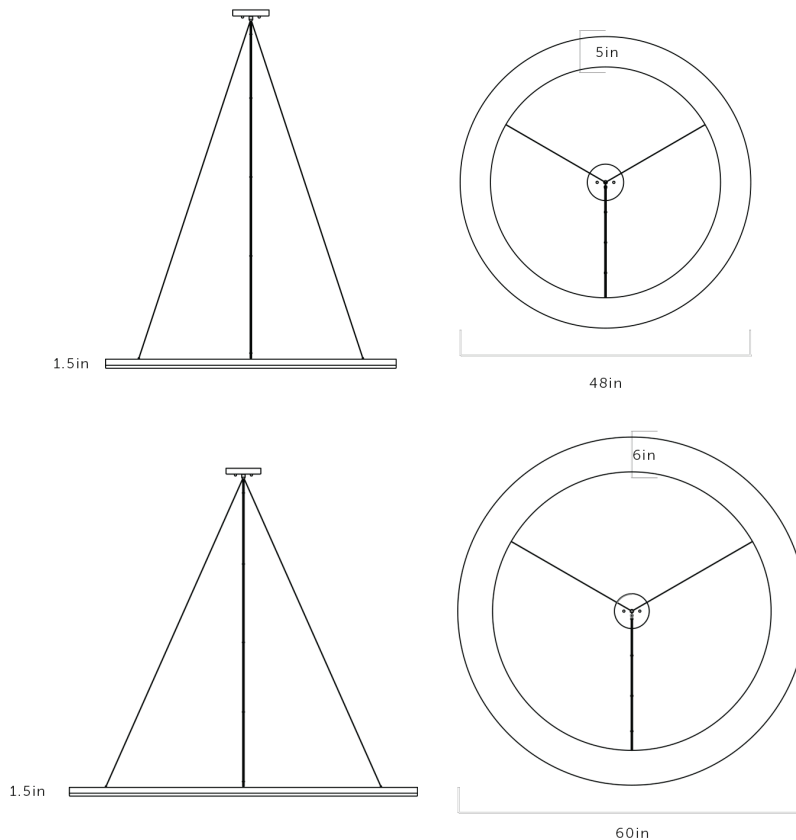


# DAVID ALEXANDER



## NUMI PENDANT 48" and 60"

### MODEL NUMBER:

DA3040-48  
DA3040-60

### DIMENSIONS:

Specify diameter  
Ø 48in x W 5in x H 1.5in  
Ø 60in x W 6in x H 1.5in

### CANOPY:

Ø 6in x H 1in

### WEIGHT:

35lb/45Lb

### LEAD TIME:

6-8 weeks

### LAMPING:

Integrated LED  
Wattage: 47watts / 71watts  
Color Temperature: 2700K  
Life: 50,000 Hours  
Lumens:  
• 48" diameter: 2800, 90+ CRI  
• 60" diameter: 4300, 90+ CRI

### POWER SUPPLY:

LED Driver: Remote  
0-10v Dimmable  
Input Voltage: 120-277V

### METAL OPTIONS:

Polished / Satin Nickel  
Satin Brass  
Light Antiqued Brass  
Antiqued Brass  
Dark Bronze

### WOOD OPTIONS:

Butternut  
Roasted Brown  
Squall